



DESCRIPTION

A SEMI FRAMELESS BALUSTRADE SOLUTION WITH THE GLASS BEING CAPTURED VIA THE HORIZONTAL HANDRAIL AND KICK RAIL.

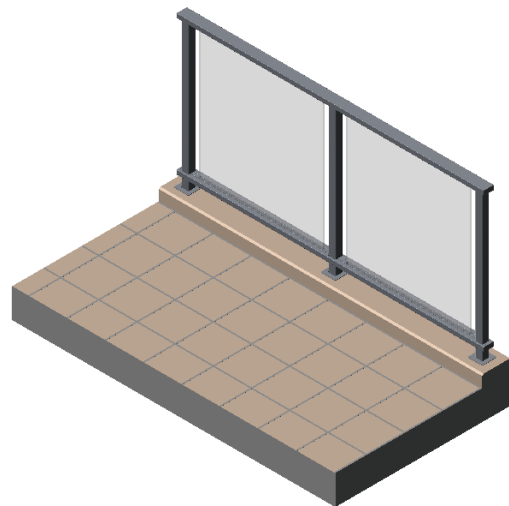
COMMERCIAL APPLICATION

Typically can be used up to 20 storeys (5kPa ULS). Alternative and custom design options for higher wind loads are available with thicker post material and glass.

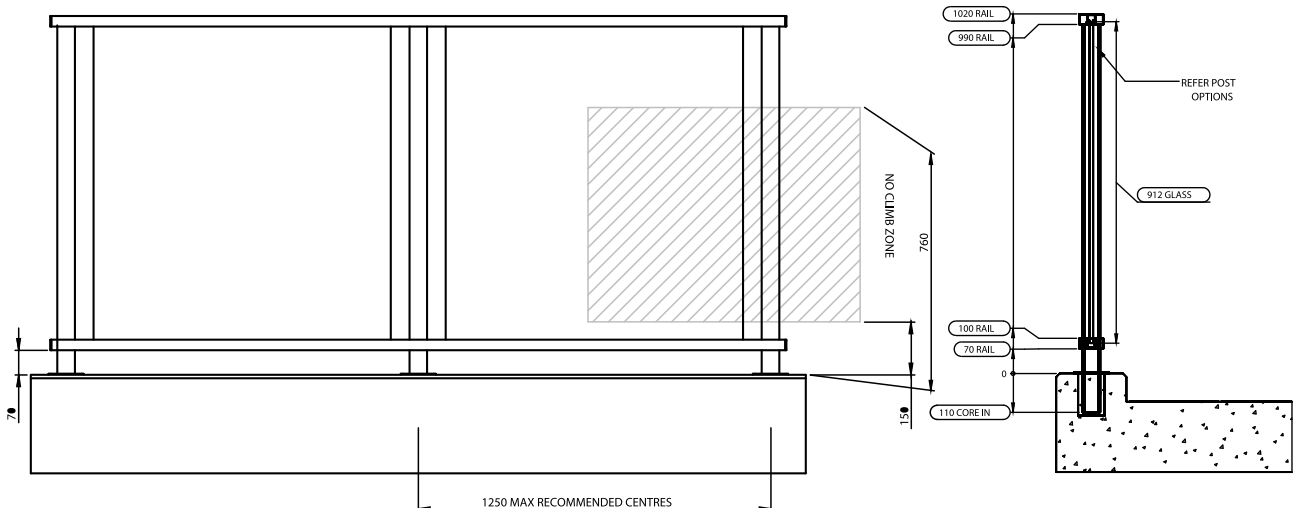
KEY FEATURES

Locally pre-manufactured and welded system for a stronger and longer lasting finish, faster installation due to less mechanical fixing onsite and less points of failure.

POWDER COATED



ELEVATION AND SECTION VIEW



SPECIFIC DIMENSIONS

Balustrade up to 1200mm high, typical 1200 max centres.
Alternative and custom design options for higher balustrades are available.

MATERIAL:

Aluminium frame powder coated, glass is 10mm Clear
Toughened Heat Soaked.

**Alternative glass colours and thicknesses
are available.**

RECOMMENDED POWDER COAT SUPPLIERS COLOUR RANGE:

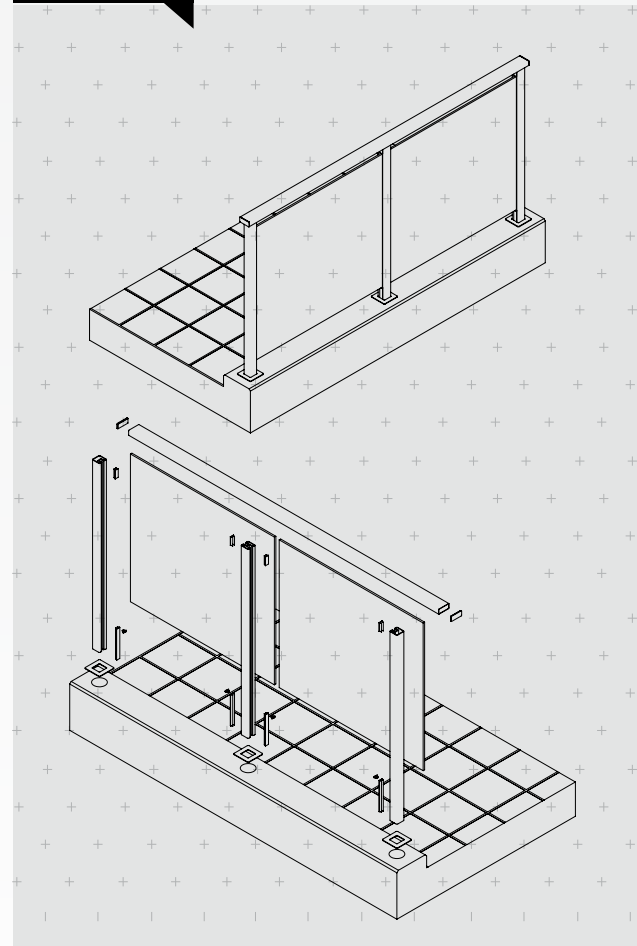
Dulux Duratec
Interpon Ultriva

**Custom colours available, however attract additional
lead time and cost.**

LEAD-TIME

Typically 2 weeks from shop drawing approval to site.
30 mins a metre to manufacture per person
60 mins per metre to install per crew

PROFILES



**CONTACT AN AMA SPECIALIST
TODAY AND FIND OUT HOW
OUR TEAM CAN ENSURE YOUR
PROJECT IS UNIQUE, ON TIME
AND MEETS BUDGET.**

Telephone: (07) 5493 8333
Email: admin@amau.com.au
Address: 15-17 Bearing Ave, Warana, QLD, 4575
Postal Address: PO Box 460 Buddina, QLD, 4575